

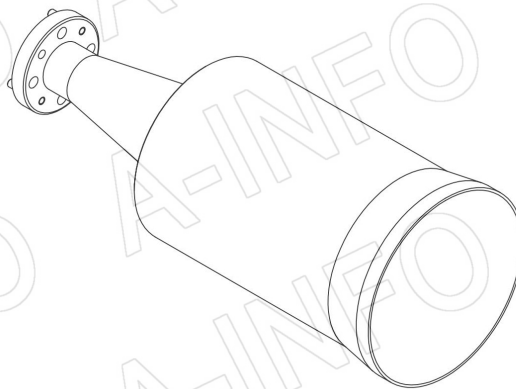
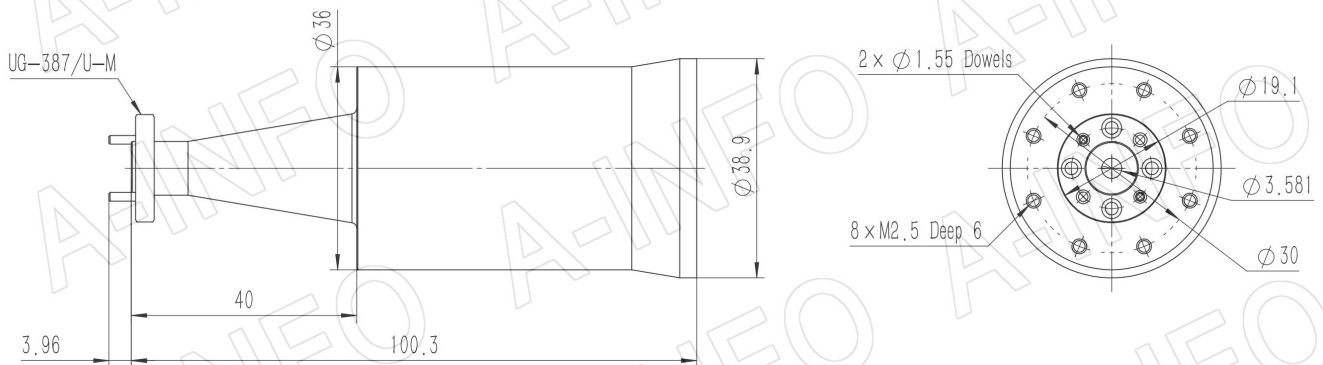
For reference only. See data sheet for the detailed specifications.

## Technical Specification



Frequency Range(GHz)	56.6 - 77.5
EIA WC	WC14
Circular WG Size	3.581mm/ 0.14"
Gain(dBi)	25 Typ.
Polarization	Linear and Circular
3dB Beamwidth(deg)	E Plane: 8 Typ.
	H Plane: 9 Typ.
Cross Pol. Isolation(dB)	40 Typ.
VSWR	1.20:1 Max.
Output	UG-387/U-M
Material	Cu
Finish	Gold Plated
Size(mm)	38.9 x 38.9 x 100.3
Net Weight(Kg)	0.25 Around

## Outline Drawing (Size: mm)



## AINFO Inc.

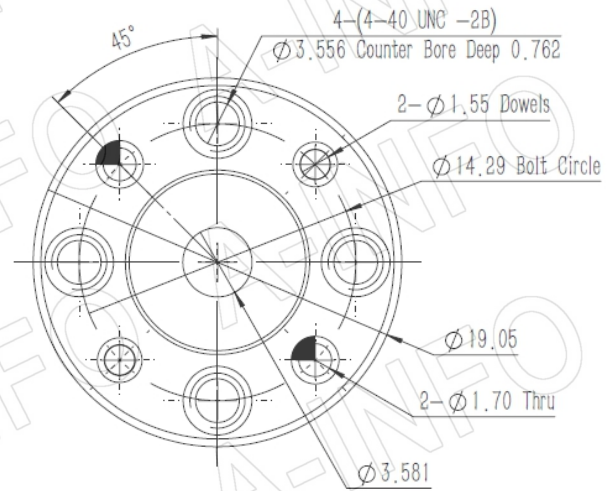
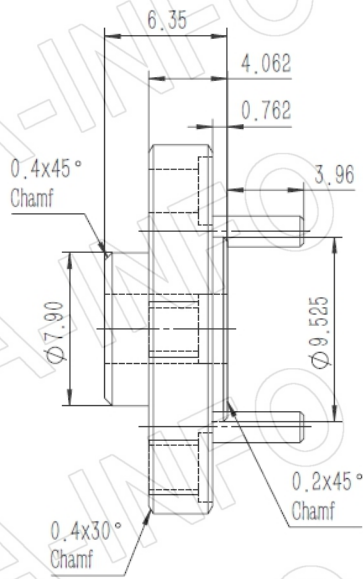
China(Beijing): Tel: (+86) 10-6266-7326,  
China(Chengdu): Tel: (+86) 28-8519-2786,  
USA: Tel: (+1) 949-639-9688,

Page 1 of 12

(+86) 10-6266-7327 Fax: (+86) 10-6266-7379  
(+86) 28-8519-3044 Fax: (+86) 28-8519-3068  
(+1) 949-639-9608 Fax: (+1) 949-639-9670

Website: [www.ainfoinc.com](http://www.ainfoinc.com)  
Email: [sales@ainfoinc.com](mailto:sales@ainfoinc.com)

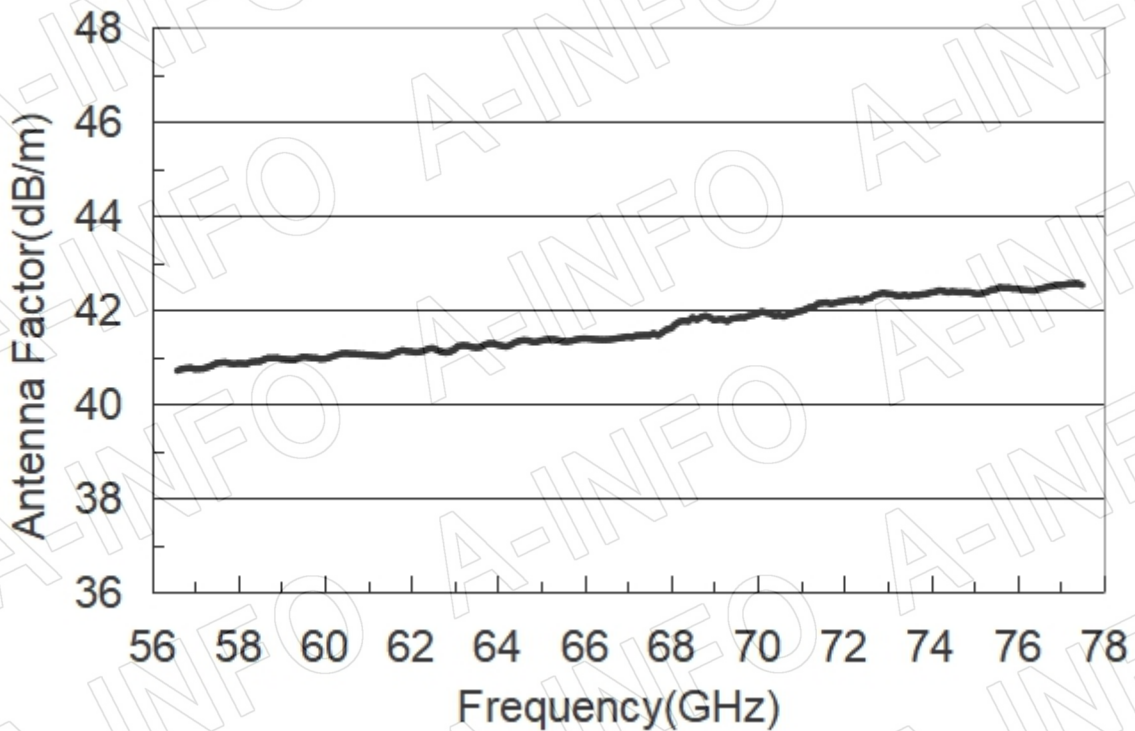
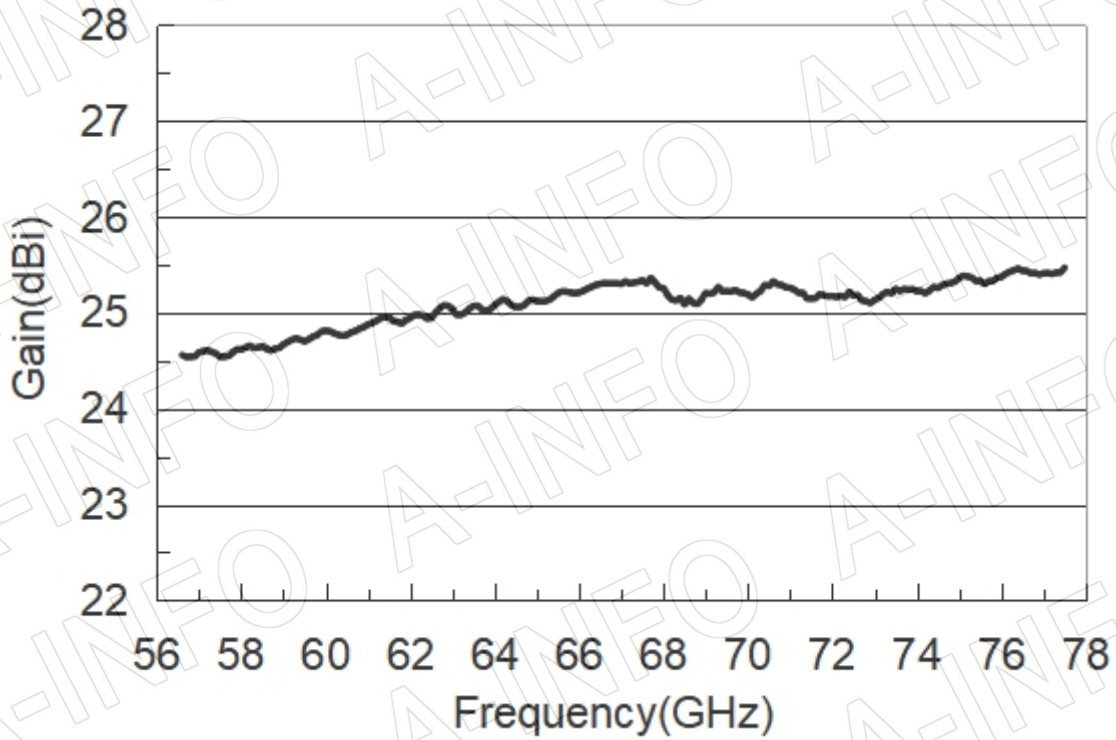
## Flange Drawing (Size: mm)



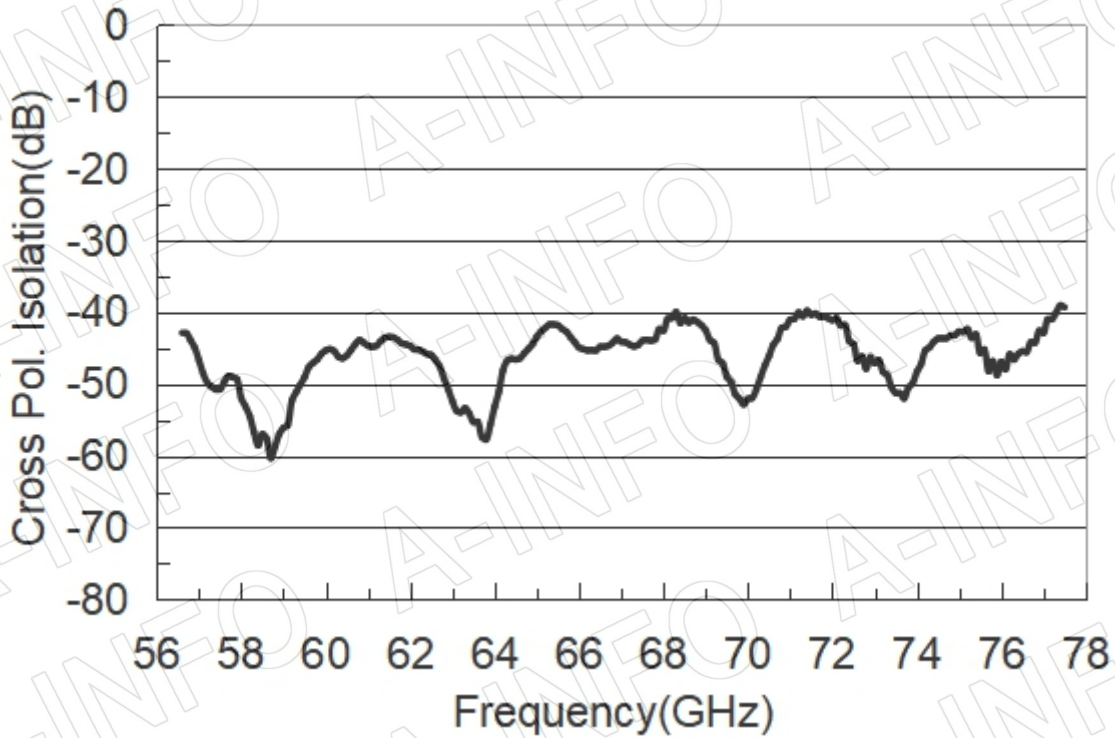
UG-387/U-M

## Test Results(Including circular to rectangular transition)

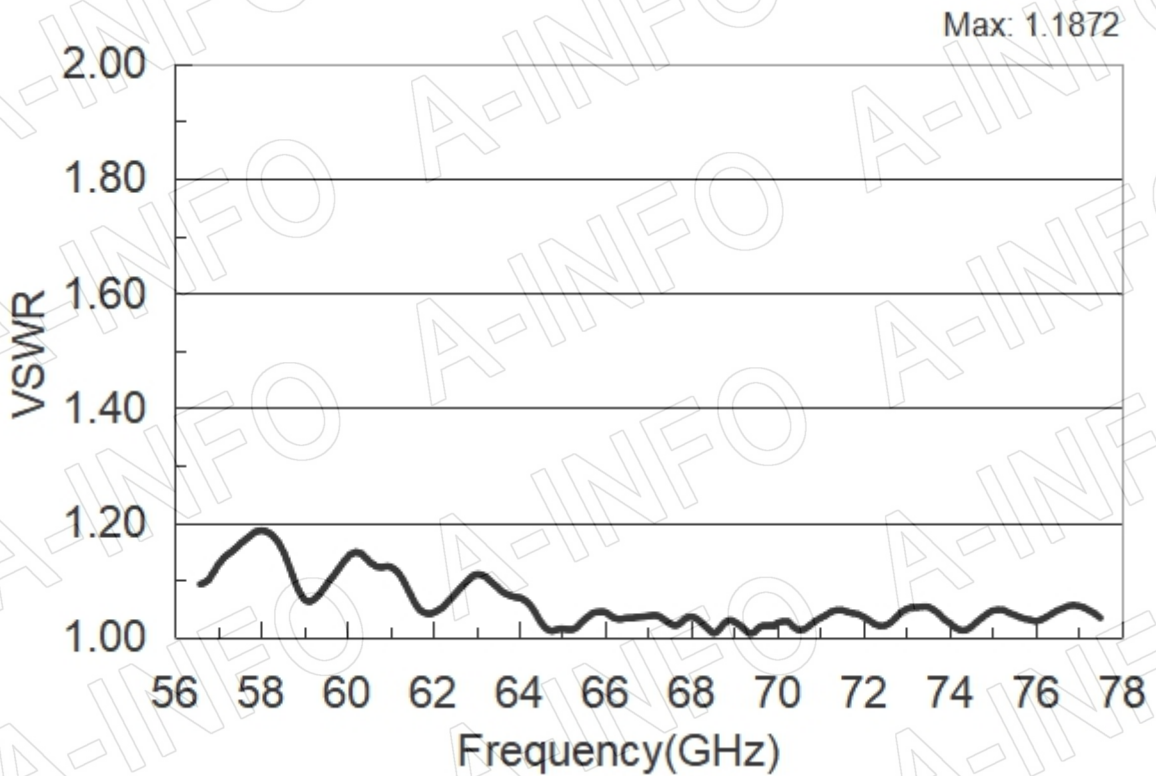
### 1. Gain & Antenna Factor



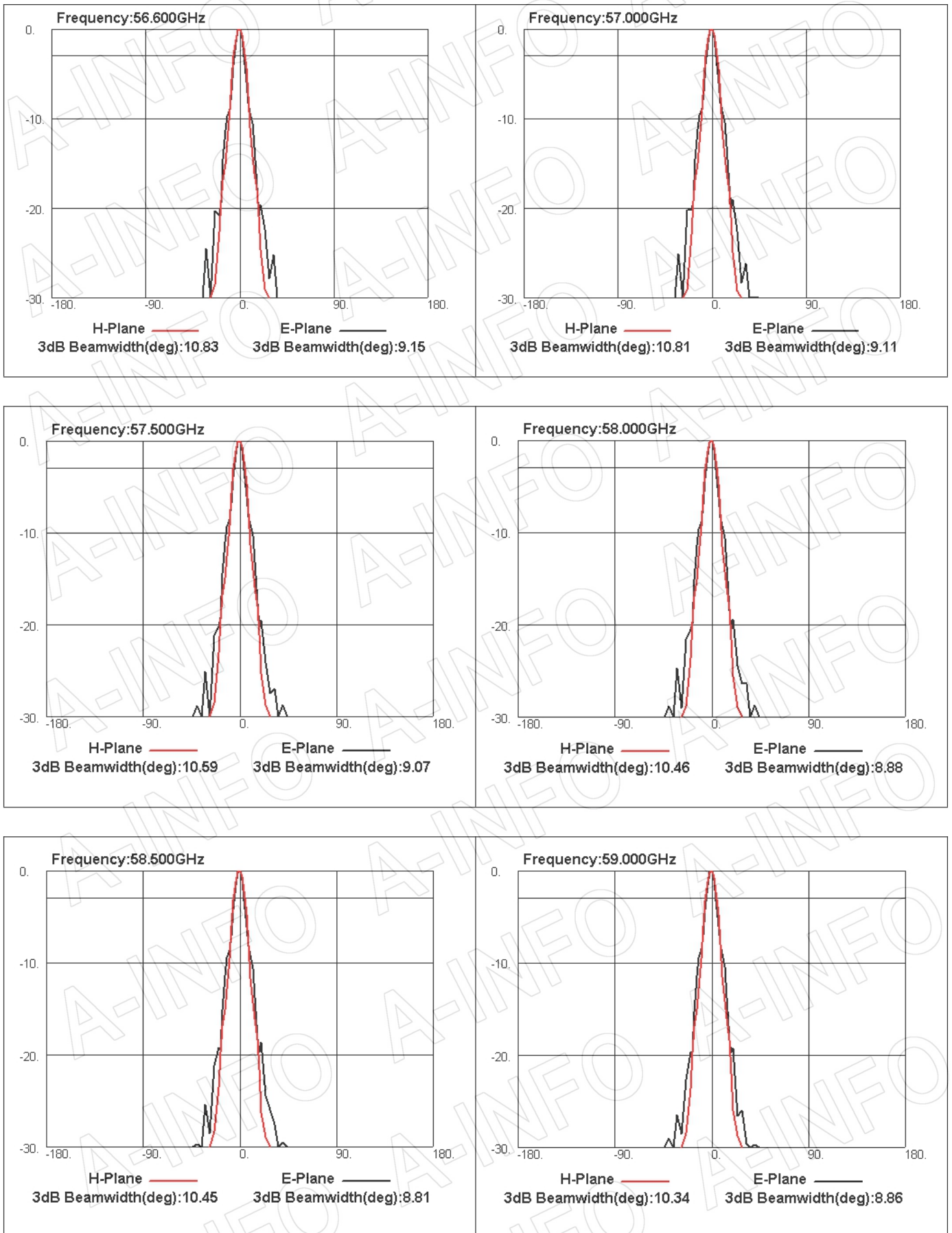
## 2. Cross Polarization Isolation



## 3. VSWR



## 4. Pattern



**AINFO Inc.**

China(Beijing): Tel: (+86) 10-6266-7326,  
China(Chengdu): Tel: (+86) 28-8519-2786,  
USA: Tel: (+1) 949-639-9688,

Page 5 of 12

(+86) 10-6266-7327 Fax: (+86) 10-6266-7379  
(+86) 28-8519-3044 Fax: (+86) 28-8519-3068  
(+1) 949-639-9608 Fax: (+1) 949-639-9670

Website: [www.ainfoinc.com](http://www.ainfoinc.com)  
Email: [sales@ainfoinc.com](mailto:sales@ainfoinc.com)

